

Wiring diagram see sheet 2

Die Montageanleitung 7BC000000 wird elektronisch bereitgestellt.
The assembly instruction 7BC000000 is provided in electronic format.

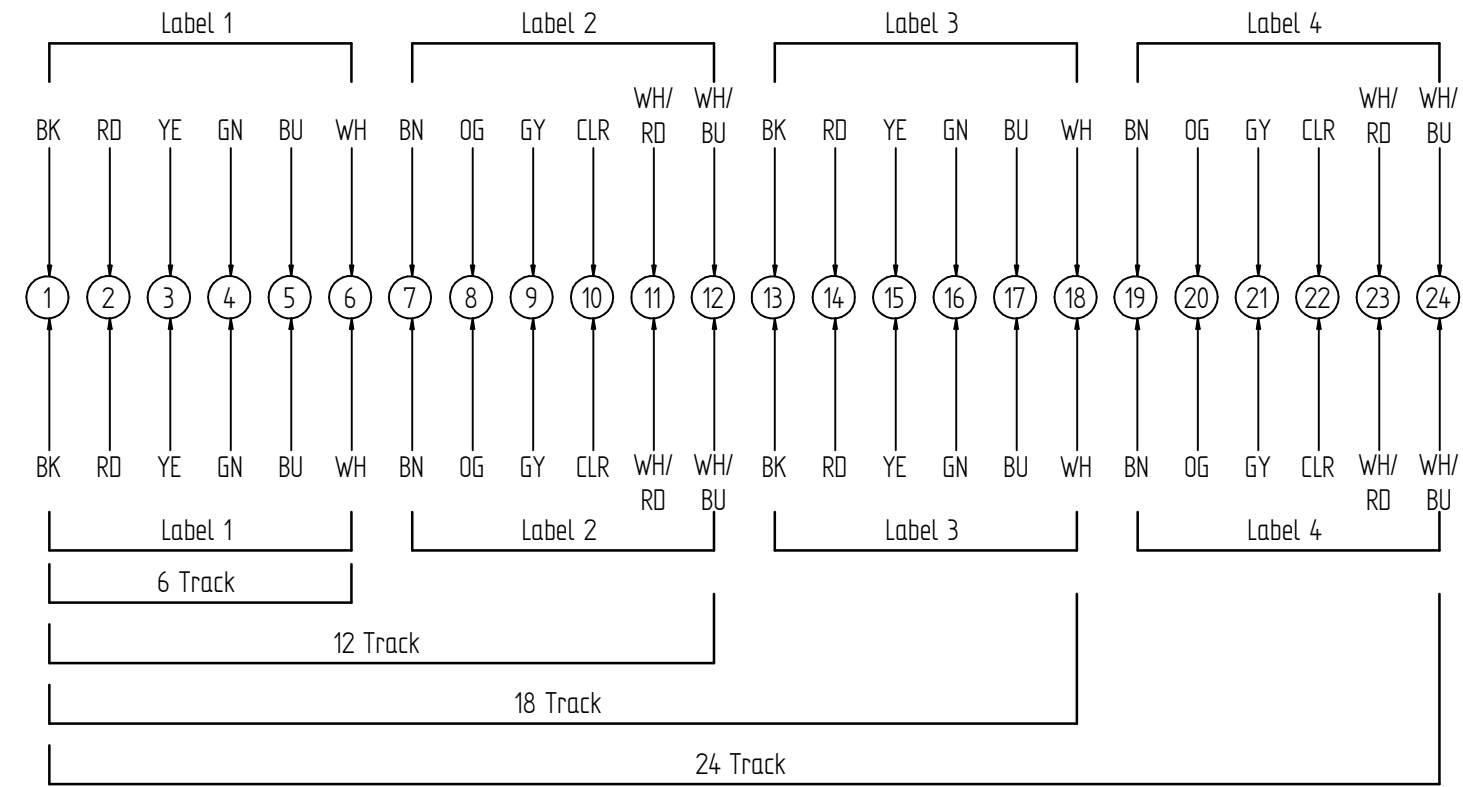
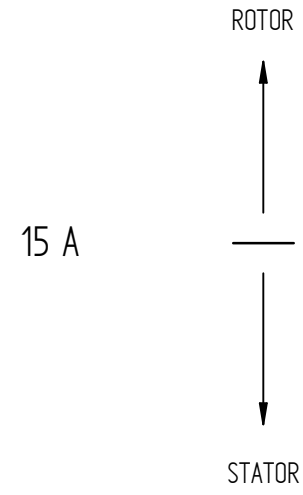
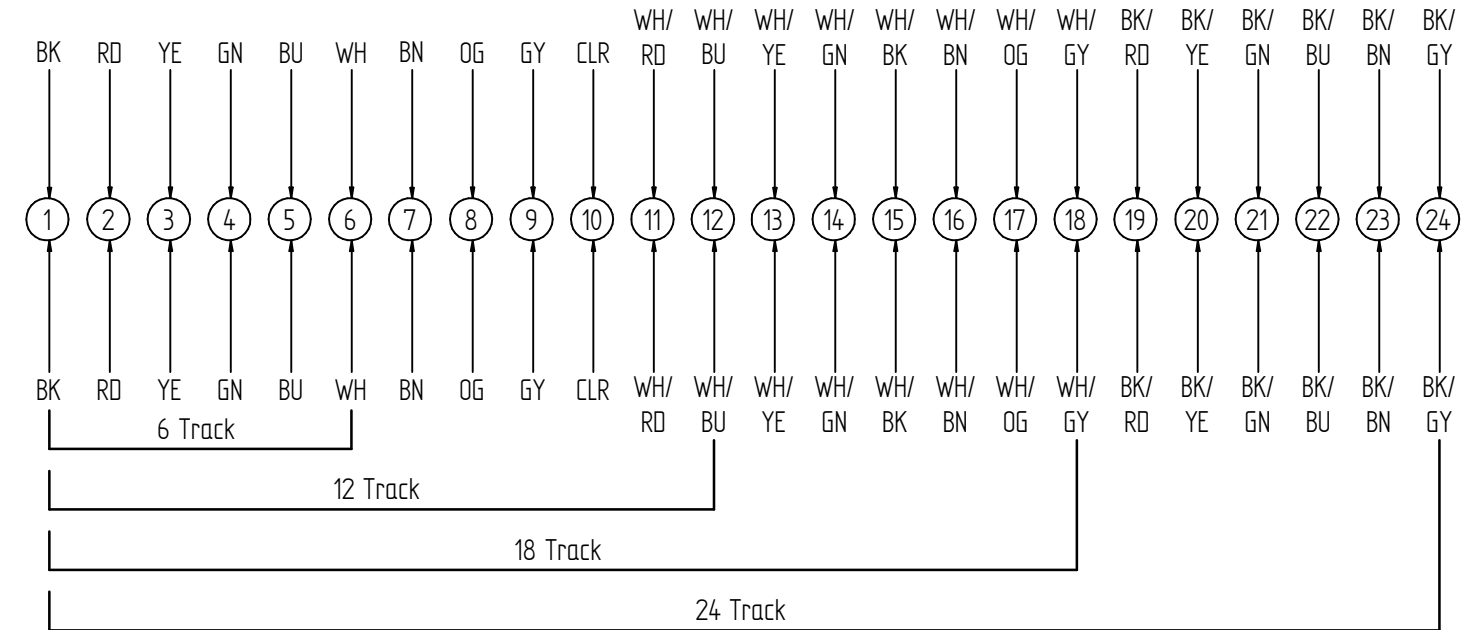
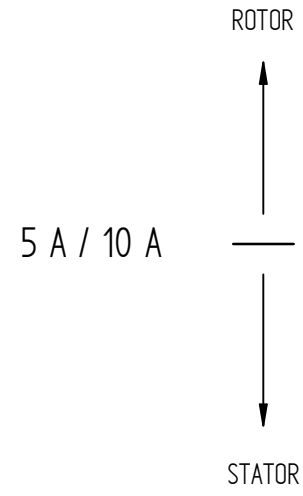
ELECTRONIC & ELECTRIC		MECHANICAL	
Rating Voltage	250 V AC / DC	Working Speed	300 rpm max.
		Inner Diameter	Ø 38,1
		Contact Material	Precious Metals
Current	5 A / Signal	Lead Wire Length	STATOR: 250 mm ROTOR: 250 mm
Track	24	/	/
Insulation Resistance	500 MΩ @ 500 V DC	/	/
ENVIRONMENT		REMARKS	
Working Temperature	-20 °C to +60 °C	Application	see Manual
Working Humidity	≤ 60 % RH	Other	/
Protection Class	IP50	Note:	/

10	1	70C000016	Maverick Schleifring 24-Weg 5A		
Pos.	Anz.	Mat.Nr.	Kurztext	GroÙe/Abmessung	Werkstoff
1	2	3	4	5	6
DIN ISO 5456-2	TOLERANCES	DIN ISO 13715	FINISH	SCALE	REFERENCE 2
	ISO 2768 - mH	+0,3 +0,1	-0,1 -0,3	1:1	WEIGHT 0,001 kg
STANDARDS ISO 8015 ISO 14405	DWG NO	REVISION	FIRST RELEASE	21.12.2021	
	77C000016	A1	DESIGNER	CREITER	16.11.2022
			APPROVED	AGREPPMAYR	21.11.2022
	Beschreibung	Maverick Schleifring 24-Weg 5A		CHANGE NO	200120151
	DESCRIPTION	Maverick Slip Ring 24-Track 5A		DOCUMENT TYPE	Kundenzeichnung
	SIZE/DIM				SHEET 1/2
Draft: 1000954629/D02/000/03			Modell: 1000954629/D00/000/03		A2

All drawings are the property of Schleifring GmbH/ Germany and are to be treated as confidential. The reproduction, distribution and utilization as well as the communication of its contents to others without express authorization is prohibited. Offenders will be held liable for the payment of damages. All rights reserved in the event of the grant of a patent, utility model or design.

All drawings are the property of Schleifring GmbH/ Germany and are to be treated as confidential. The reproduction, distribution and utilization as well as the communication of its contents to others without express authorization is prohibited. Offenders will be held liable for the payment of damages. All rights reserved in the event of the grant of a patent, utility model or design.

Cable Table	
Current	Cable
5 A / Signal	AWG17
10 A	
15 A	AWG14



DIN ISO 5456-2 	TOLERANCES ISO 2768 - mH	DIN ISO 13715 	FINISH	SCALE 1:1	REFERENCE 2
	STANDARDS ISO 8015 ISO 14405		DWG NO 7KC000016	MATERIAL	WEIGHT 0,001 kg
		Beschreibung Maverick Schleifring 24-Weg 5A DESCRIPTION Maverick Slip Ring 24-Track 5A SIZE/DIM.	REVISION A1	FIRST RELEASE	21.12.2021
			APPROVED AGREPPMAYR	DESIGNER CREITER	16.11.2022
			CHANGE NO 200120151	SHEET 2/2	
			DOCUMENT TYPE Kundenzeichnung		